

Pressure Gauge

low pressure design

dim 63 mm

E 02.16.01

ed.08.01

Design Industrial pressure gauge for low pressure.
Suitable for media that will not obstruct the pressure system or attack copper alloy parts.

Type Serie 2060

Case diameter Dim 63 mm

Accuracy Class 1,6%

Case Black finish steel case

Window Plastic, snap-fit

Pressure element Copper alloy

Pressure unit mbar

Scale White plastic scale

Pressure connection G 1/4"

Mounting Lower or back mount
also front flange

Working Pressure 90% of full scale range by fluctuating pressure.
Full scale value by steady pressure.

Operating temperature -40+100° C

Weather Protection IP 45

Zero adjustment Zero adjustment through window

Optional extras Overpressure or underpressure safety 10 x
Degreased for oxygen services
Liquid filled case
Case dim 50 mm



Pressure range

0-25 mbar	0-40 mbar	0-60 mbar	0-100 mbar	0-160 mbar	0-250 mbar	0-400 mbar
-25/0 mbar	-40/0 mbar	-60/0 mbar	-100/0 mbar	-160/0 mbar	-250/0 mbar	-400/0 mbar

Dim 63 mm



2060
Lower mount



2061
Back mount



2067
Back mount
front flange



2069
Lower mount
front flange

Pressure Gauge

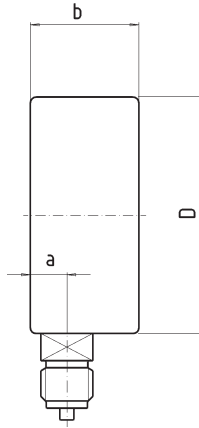
low pressure design

dim 63 mm

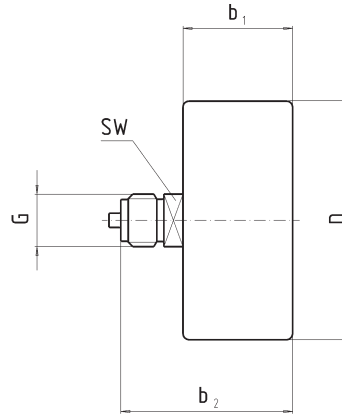
E 02.16.01

ed.08.01

Lower mount type 2060



Back mount type 2061



Dim Ø	a	b	b ₁	b ₂	D	G	h	SW	kg
63	9,5	33	42	63	62	G1/4"	53	14	0,25